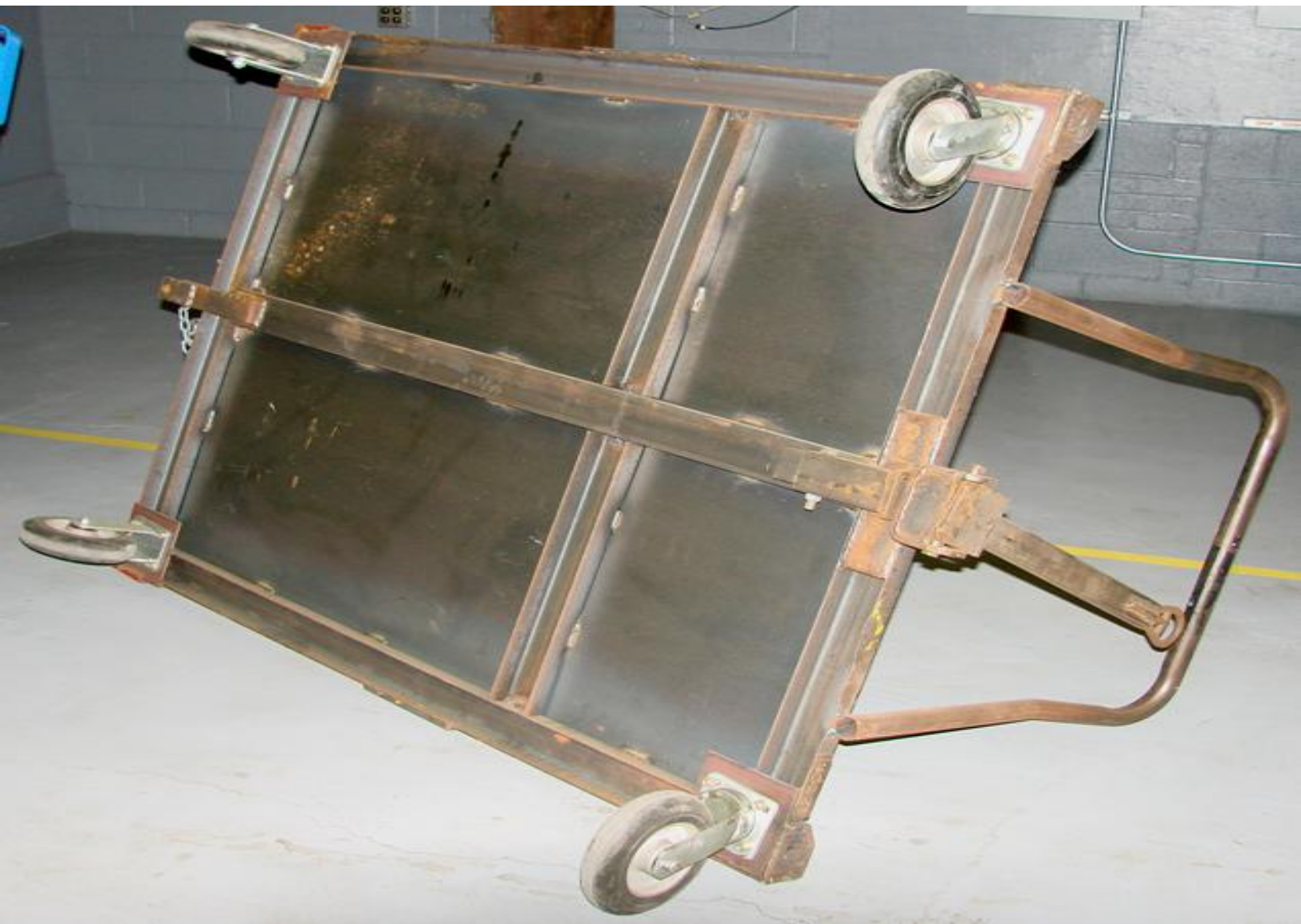


*Practical Solutions for Lean Material Handling*

# **A CART IS A CART**

*But....All Carts Are Not Created Equal*



*Where Materials Flow by Design*



# LEAN LOGISTICS

**ALL CARTS ARE NOT CREATED EQUAL!**



**5**

## **DESIGN OF CRITICAL COMPONENTS**

- Self-Stowing, Floating Towbar w/Low Alloy Eyelet
- Compact Auto-Hitch Assembly w/Low Alloy Tongue (both related to train GVW & checked w/ FEA\*\*)

**1**

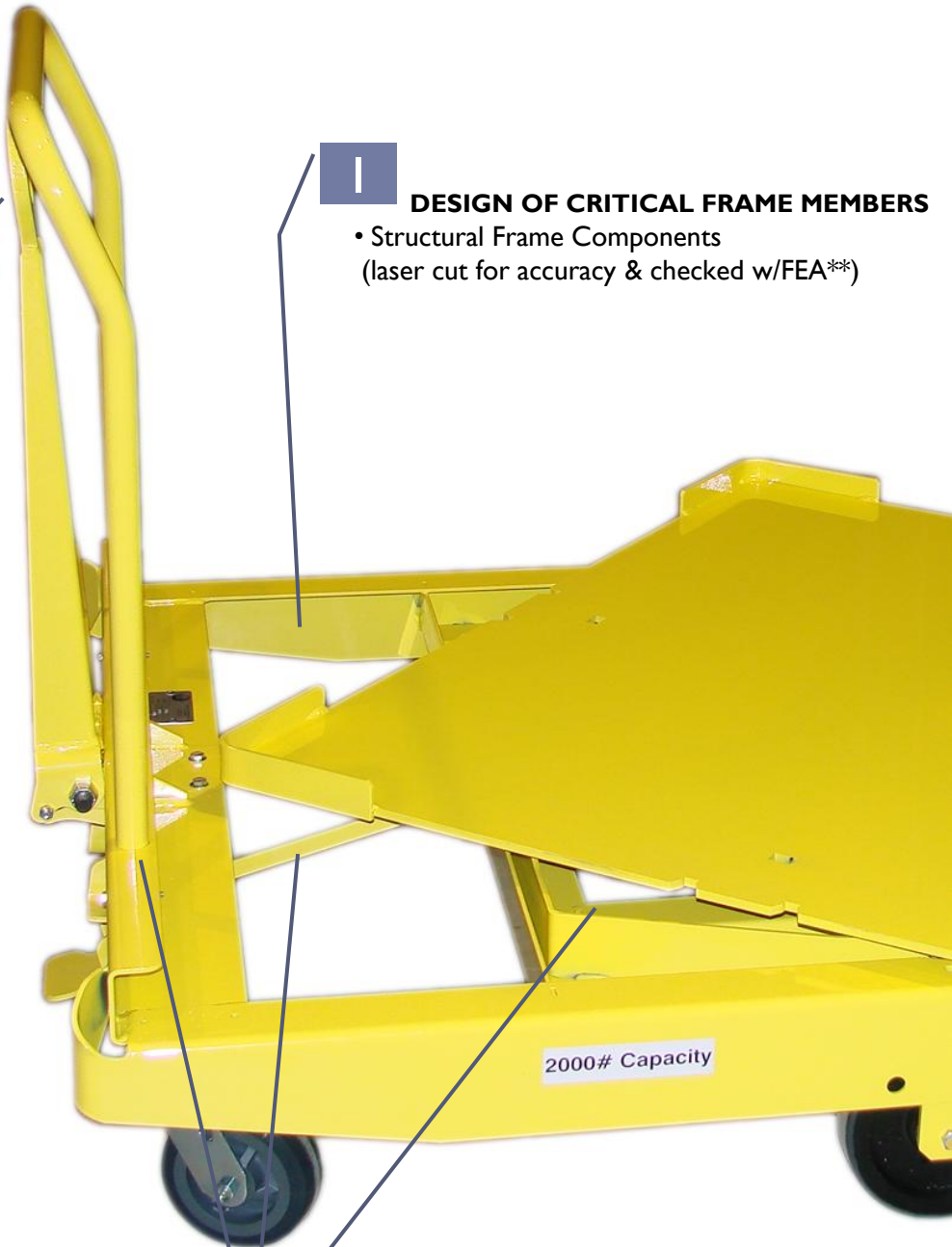
## **DESIGN OF CRITICAL FRAME MEMBERS**

- Structural Frame Components (laser cut for accuracy & checked w/FEA\*\*)

**4**

## **SAFETY & ERGO**

- Built-In Under Frame Safety Lift Pocket
- Removable 4-Bend Handle
- Mechanical Auto-Deck Lock (no cables) w/Soft Detents
- Super HD Floor Lock w/Replaceable Elastomer Pad



# QUALITY DESIGN

REDUCING RISK DEMANDS THE BEST...



Where Materials Flow by Design

## ProFlow™ Series SIMPLY THE BEST YOU CAN BUY!

### 2 Year Limited Warranty

- ✓ Full Product Liability
- ✓ In-House Engineered
- ✓ Rated Load Capability  
Checked w/FEA\*\*

### Low Maintenance

- ✓ Common Off-Shelf Parts
- ✓ Minimal Wear Parts

### No Surprise Design/Build

- ✓ Ergo & Safety Built-In
- ✓ Performance You Can Trust
- ✓ Dependable/Repeatable  
Quality
- ✓ You Can Count On It Being  
Right the 1<sup>st</sup> Time!



- SAFETY & ERGO**
- Smoothed Corners
  - Beveled Edges
  - No Protrusions for Tripping
  - Low Rotational Forces  
(deck bearings on perimeter)

2



3

### WHEEL SYSTEM OPTIMIZED

- Tight Tracking (MPP™ 4R down system)
- Low Push / Pull Forces
- Towing Safety (premium wheels w/sealed bearings  
kingpinless swivels and HD rigs)



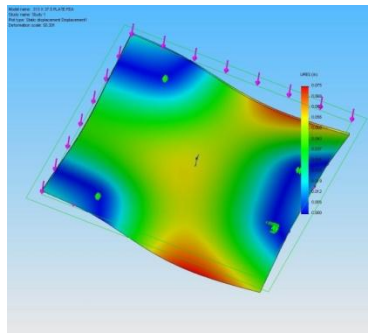
# GREEN SOLUTIONS

## GREEN CARTS

Emissions are a primary cause of environmental pollution and serious health issues. Reducing emissions starts by using carts and train systems to move material more efficiently within plants and warehouses. Tugging trains of heavy boxes and pallets consumes less energy than moving with fork trucks translating into reduced handling costs and lower overall emissions along the way. Our carts also extend the safe limits of human power to move loads manually where required.

## STRUCTURAL ANALYSIS

The finite element method (sometimes referred to as *finite element analysis, FEA*) is a technique for finding approximate solutions to equations that define stress and strains in structures under static and dynamic conditions. With the aid of computers, it allows a visual representation of a particular load condition on the structure that is helpful in identifying stress concentration and possible design improvements. FEA helps K-Tec engineers use steel only where it is required producing lighter, stronger carts with ample safety factors where needed which translates to higher loads, less energy to move.



Distributed By:



Where Materials Flow by Design